

Specifications

| Model | GTH™-636 | |
|---|-------------|-------------|
| Measurements | US | Metric |
| Maximum lift height | 36 ft | 10.97 m |
| Maximum forward reach | 21 ft 11 in | 6.68 m |
| Reach at maximum height | 1 ft 10 in | 0.56 m |
| A Height, stowed | 7 ft 10 in | 2.39 m |
| B Length, stowed (without forks) | 17 ft 10 in | 5.44 m |
| Width | 7 ft 11 in | 2.41 m |
| C Wheelbase | 10 ft 11 in | 3.33 m |
| D Ground clearance, center | 1 ft 3 in | 0.38 m |
| E Ground clearance, axle | 1 ft 5 in | 0.43 m |
| Fork cross section | 2 x 4 in | 51 x 101 mm |

Productivity

| | | |
|---------------------------------|--------------------|---------------|
| Maximum lift capacity | 6,000 lbs | 2,722 kg |
| Lift capacity at maximum height | 5,000 lbs | 2,268 kg |
| Lift capacity at maximum reach | 1,500 lbs | 680 kg |
| Drive speed | 18 mph | 29 km/h |
| Boom up/down | 10/8 sec | 10/8 sec |
| Boom extend/retract | 11/9 sec | 11/9 sec |
| Draw bar pull | 15100 lbs | 6849 kg |
| Turning radius, outside (4WS) | 13 ft 4 in | 4.06 m |
| Auxiliary hydraulic flow | 2-15 gpm | 7.57-56.8 lpm |
| Auxiliary hydraulic pressure | 3,000 psi | 206.8 bar |
| Tires, standard size | 13 x 28 in, 12 ply | |

Power

| | | |
|------------------------------------|--|---------|
| Power source | Deutz TD 2.9 L4 turbo charged diesel, Tier 4f 74 hp (55.2 kW)* | |
| Electrical system | System voltage 12 volt Alternator 95 amp 1000 CCA at 0°F (-18°C) | |
| Hydraulic tank capacity | 34.0 gal | 128.7 L |
| Hydraulic system capacity (w/tank) | 46.5 gal | 176.0 L |
| Fuel tank capacity | 27.0 gal | 102.2 L |

Weight**

| | | |
|--|------------|----------|
| | 17,600 lbs | 7,983 kg |
|--|------------|----------|

Standards Compliance

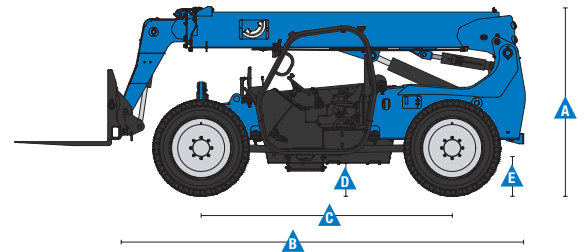
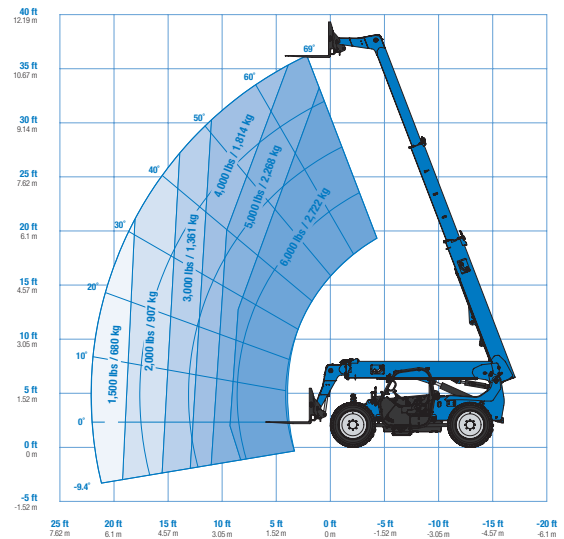
ANSI/ITSDF B56.6, CSA B335

* Also available as Tier 3 and ROW configurations in limited regions.

** Weight will vary depending on options and/or country standards.

*** Load ratings vary depending on attachment.

Load Chart GTH™-636***



Features

Standard Features

Measurements

- 6,000 lb (2,722 kg) maximum lift capacity
- 36 ft (10.97 m) maximum lift height
- 21 ft 11 in (6.68 m) maximum reach

Productivity

- Full time 4WD
- 4WS
- Operator selectable front, crab, coordinated steering modes
- 3-speed forward and reverse powershift transmission
- Proportional frame leveling 10° each side
- Power assisted steering
- Inboard wet disc service brakes
- Wet disc spring applied parking brake
- 13 x 28 in 12-ply air filled rough terrain tires
- Front axle differential lock
- High efficiency/variable displacement hydraulic pump
- ROPS/FOPS canopy
- Single, multi-function, proportional joystick
- Machine level indicator
- Full gauge cluster with engine diagnostics
- Right-side screen standard on open cab
- Genie manual Quick-Attach™ system
- Retractable 3 in (7.6 cm) seatbelt
- 48 in carriage and pallet forks
- Boom angle indicator
- 10 micron hydraulic return filter
- 1,000 cold cranking amps at 0° F (-18° C)
- Reverse motion alarm
- Adjustable suspension seat
- Auxiliary hydraulic circuit (15 GPM)
- Lifting shackle at boom tip
- Fenders (set of 4)
- Telematics Ready
- Rigging tray

Options & Accessories

Productivity Options

- Fully enclosed cab (includes full glass, defroster, wiper, right-side sliding window, split door, washer)
- Fully enclosed cab with air conditioning
- Dual joystick controls
- Flashing beacon
- Work lights (High output LED cab, boom and rear)
- Road lights (High output LED 2 front mounted, 1 backup, 2 rear stop/turn/tail)
- Fire extinguisher
- Front and top glass
- Rear proximity alarm

Engine Options

- Deutz TD 2.9 L4 turbo charged diesel, Tier 4f 74 hp (55.2 kW)*
- Electric block heater

Tire Options

- 13 x 28 in 12-ply foam-filled rough terrain tires
- 13 x 24 in solid rough terrain tires

Options & Accessories

Attachment Options

- Carriages
 - 60 in (1.52 m) carriage
 - 72 in (1.83 m) carriage
 - 48 in (1.22 m) rotating carriage (10° from center left and right)
 - 60 in (1.52 m) rotating carriage (10° from center left and right)
 - 72 in (1.83 m) swing carriage (45° from center left and right)
- Forks
 - 60 in (1.52 m) pallet forks (set of two) 2 x 4 x 60 in (.05 x .10 x 1.52 m)
 - 72 in (1.83 m) pallet forks (set of two) 2 x 4 x 72 in (.05 x .10 x 1.83 m)
 - 60 in (1.52 m) lumber forks (set of two) 1.75 x 7 x 60 in (.04 x .18 x 1.52 m)
 - 48 in (1.22 m) cubing tines (set of four) 2 x 4 x 48 in (.05 x .10 x 1.22 m)



* Also available as Tier 3 and ROW configurations in limited regions.

Genie United States

6464 185th Ave. NE
Redmond, WA 98052
Telephone +1 (425) 881-1800
Toll Free in USA/Canada +1 (800)-536-1800
Fax +1 (425) 883-3475

Distributed By:



Effective Date: January, 2016. Product specifications and prices are subject to change without notice or obligation. The photographs and/or drawings in this document are for illustrative purposes only. Refer to the appropriate Operator's Manual for instructions on the proper use of this equipment. Failure to follow the appropriate Operator's Manual when using our equipment or to otherwise act irresponsibly may result in serious injury or death. The only warranty applicable to our equipment is the standard written warranty applicable to the particular product and sale and we make no other warranty, express or implied. Products and services listed may be trademarks, service marks or trade names of Terex Corporation and/or their subsidiaries in the USA and many other countries. Terex, Genie and AWP are registered trademarks of Terex Corporation or its subsidiaries. © 2016 Terex Corporation.