

TECHNICAL DATA

OPERATING WEIGHT WITHOUT ATTACHMENTS

MHL380 F	143,299–154,322 lbs
----------	---------------------

DIESEL ENGINE

Manufacturer and model	Deutz TCD 12.0 V6 4V
Design	6-cylinder-V-engine
Control	EMR III / EMR IV
Method of operation	4-cycle diesel, common rail direct injection, turbo-charged with intercooler, controlled exhaust gas recirculation, diesel particulate filter with continuous regeneration and double SCR catalytic converter
Engine power	366 hp (273 kW)
Rated speed	1,800 rpm
Displacement	732 cui
Cooling system	Water and charge air cooling with temperature controlled fan speed
Exhaust emission standard	EPA Tier 4 final / EU stage IV
Fuel tank	217 gal Diesel
DEF / Urea tank	22.5 gal AdBlue

ELECTRICAL SYSTEM

Generator	28V / 100A
Operating Voltage	24V
Battery	2 × 12V / 170Ah / 950A
Lighting system	1 × LED spotlight on upper carriage 1 × LED spotlight on cabin floor turn signals and rear side marker lamps
Optional equipment	30kW DC generator with controls and insulation monitoring

TRANSMISSION

Hydrostatic travel drive via infinitely variable axial piston motor with directly mounted travel brake valves, flanged to a transfer box, 4-wheel drive

Travel speed	0–5 mph
Gradeability	max. 11 %
Turning radius	32' 6"

SWING DRIVE

Slew ring	Internally toothed ball ring gear (double row)
Drive	Two two-stage planetary gears with integrated multi-disc brake, closed circuit
Uppercarriage swing speed	0–6 rpm infinitely variable
Rotating interlock	Electrically operated

UNDERCARRIAGE

Front axle	Planetary drive axle with integrated drum brake, rigidly mounted, max. steering angle: 30°
Rear axle	Oscillating planetary drive rear axle with integrated drum brake and selectable oscillating axle lock
Stabilization	4-point stabilizers
Tires	Solid rubber, elastic, 8-fold, with intermediate rings

BRAKE SYSTEM

Service brake	Hydraulic single-circuit braking system acting on all wheels
Parking brake	Electrically operated disc brake on rear axle, acting on both front and rear axles via transfer gear

HYDRAULIC SYSTEM

Pump delivery rate	max. 169 gpm + 53 gpm in the swing circuit
Operating pressure	4641 / 5221 psi
Hydraulic oil tank	182 gal

OPERATOR'S CAB

Cab	Infinitely variable hydraulic height-adjustment with eye level up to 21' above ground. Sound-deadened, ample thermal panoramic glass windows, windshield with pulldown sunblind, viewing window on cab roof, sliding window in cab door, sliding door
Climate control	Automatic air-conditioning. Infinitely variable heating with 8-speed fan, 10 adjustable air nozzles, including 4 in the roof lining, 3 defroster nozzles
Operator's seat	Air-cushioned comfort-seat with integrated headrest, safety belt and lumbar support, seat heating with integrated A/C function optional. Comfortable operation with multi-purpose adjustment options for seat position, seat inclination, seat cushion placement in relation to armrests and pilot control units. Articulating armrests and joysticks
Monitoring	Ergonomic layout, anti-glare instrumentation. Multi-function display, automatic monitoring and recording of abnormal operating conditions (including all hydraulic oil filters, hydraulic oil temperature (cold/hot), coolant temperature and charge air temperature, diesel particulate filter load, visual and audible warning indication with shutdown of pilot controls/engine power reduction. Diagnosis of individual sensors possible via the multifunction display. Rear view camera and side view camera
Sound levels	Sound power level (ambience) L _{WA} 105.8 dB(A) (metered) acc. to directive 2000/14/EG L _{WA} 106 dB(A) (guaranteed) acc. to directive 2000/14/EG Sound pressure level (inside the cabin) acc. to directive ISO 6396 L _{PA} 71 dB(A)

Certified in accordance with CE regulations

EQUIPMENT

DIESEL ENGINE

	Standard	Option
Intercooler and coolant radiator	●	
Direct electronic fuel injection / common rail	●	
Advanced automatic idle incl. engine shut-off function	●	
Engine preheating		●
Engine diagnostic interface	●	
Temperature-dependent fan drive	●	

UNDERCARRIAGE

All-wheel drive	●	
Drum brakes	●	
Rear axle oscillating lock	●	
4-point stabilizers	●	
4-point stabilizers, individually controllable		●
Stabilizer cylinders with integrated two-way check valves	●	
Piston rod protection on stabilizer cylinders	●	
Tool box	●	

UPPERCARRIAGE

Separate cooling systems for engine and hydraulic oil cooler	●	
Cooling system with temperature-dependent fan drive	●	
Reversing fan for coolant, charge air and hydraulic oil		●
Automatic central lubrication system	●	
Rear view camera	●	
Side view camera	●	
Reversing alarm		●
Electric diesel refuelling pump		●
Lighting protection		●
Maintenance hood with mechanical locking device	●	
Lockable cleaning access openings on radiators	●	
Quick drain valve on Diesel tank	●	
Quick drain valve on hydraulic oil tank	●	
Quick drain valve on radiator	●	
Quick drain valve on engine-oil pan	●	
Special paint (customer paint work)		●

CAB

	Standard	Option
Cab system vertically adjustable	●	
Cab system vertically and horizontally adjustable		●
3-layer glass with protection film	●	
Sliding window in cab door	●	
Reinforced glass (windscreen and roof panel)		●
Washer system (windshield)	●	
Roof washer system (skylight)		●
Air cushioned operator's seat with head-rest, seatbelt and lumbar-support	●	
Seat heating with integrated A/C function		●
Joystick steering	●	
Steering column, height and tilt adjustable (instead of joystick steering)		●
Automatic air conditioning system	●	
Independent heating system		●
Multi-function touch display		●
FOPS protective guard		●
Front / roof protective guard		●
Radio USB & Bluetooth (EU & USA)	●	
12 V socket	●	
Fire extinguisher, dry powder		●
Travel alarm w/ rotating beacon		●

OTHER EQUIPMENT

30kW DC generator with controls		●
Close proximity range limiter for dipper stick	●	
Coolant and hydraulic oil level monitoring system	●	
Overload warning system basic		●
Overload warning and reach limitation system		●
Filter system for attachments		●
Hose rupture safety valves for boom cylinders	●	
Hose rupture safety valves for stick cylinders	●	
Working light attached to cab floor	●	
Working lights mounted to superstructure	●	
Working light mounted on dipper stick (1x)	●	
Quick-connect coupling on dipper stick	●	
Load limit control	●	
Hydraulic oil preheating		●
Lubrication of the grab suspension by central lubrication system	●	
LED front headlights	●	
LED light packages		●
360° bird view camera system		●
Floating switch		●
Fuchs Telematics System, incl. 2 years service	●	

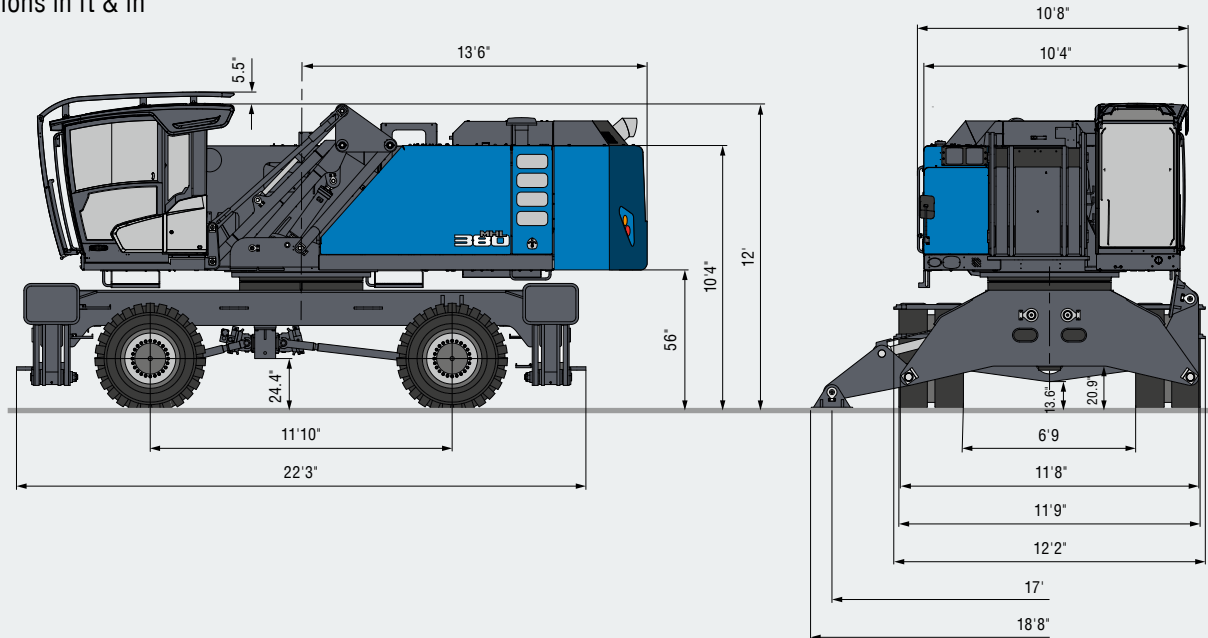
Further optional equipment available on request!

DIMENSIONS

4-POINT STABILIZERS

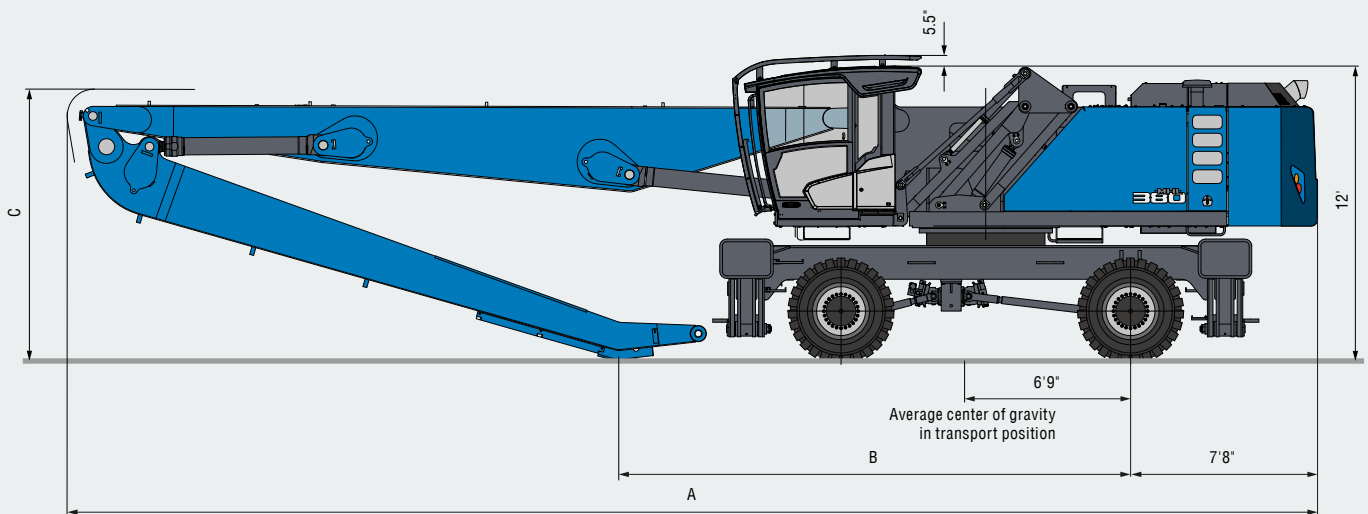
WITH VERTICALLY AND HORIZONTALLY ADJUSTABLE CAB

All dimensions in ft & in



TRANSPORT DIMENSIONS

All dimensions in ft & in



Dimensions	Reach 60'8"	Reach 65'7"	Reach 68'11"	Reach 68'11" cranked	Reach 72'2"	Reach 72'2" cranked
A	51'	56'9"	56'9"	56'5"	56'9"	17310 mm
B	20'11"	26'1"	23'8"	21'7"	20'3"	6210 mm
C	11'1"	9'8"	12'2"	12'6"	11'9"	4700 mm