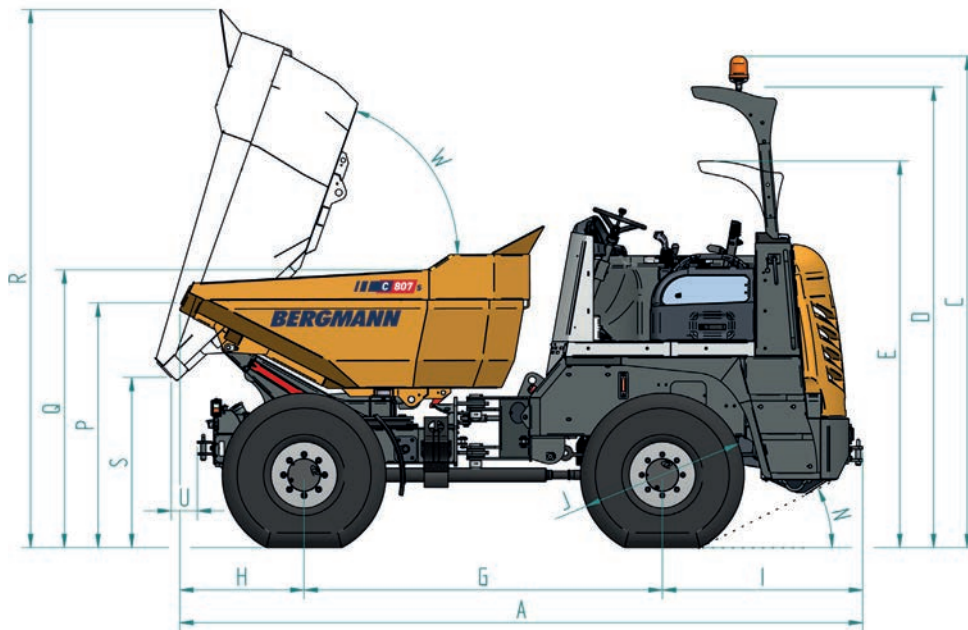


BERGMANN II C 807 s



Safety bar (ROPS)



Dimensions

A	4,575 mm	15.01 ft
B	2,043 mm	6.70 ft
C	3,293 mm	10.80 ft
D	3,087 mm	10.13 ft
E	2,591 mm	8.50 ft
G	2,400 mm	7.87 ft
H	833 mm	2.73 ft
I	1,342 mm	4.40 ft
J	1,097 mm	3.60 ft
L	408 mm	1.34 ft
M	326 mm	1.07 ft
N		27°
O	2,043 mm	6.07 ft
P	1,638 mm	5.37 ft
Q	1,862 mm	6.11 ft
R	3,608 mm	11.84 ft
S	1,141 mm	3.74 ft
U	175 mm	0.57 ft
V	169 mm	0.55 ft
W		70°

Weight

Empty weight	4,300 kg	9,480 lb
Payload	6,000 kg	13,228 lb

Bucket capacity

Struck	2.5 m ³	3.3 yd ³
Heaped	3.6 m ³	4.7 yd ³

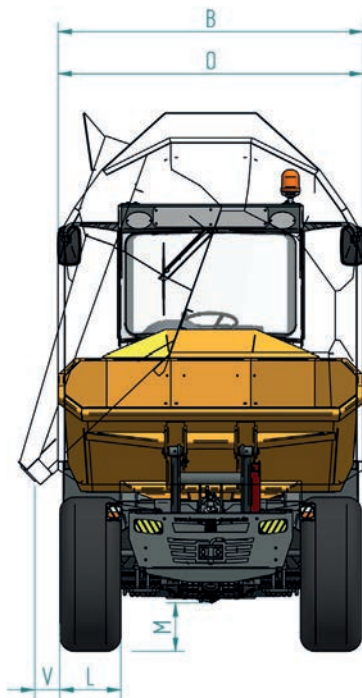
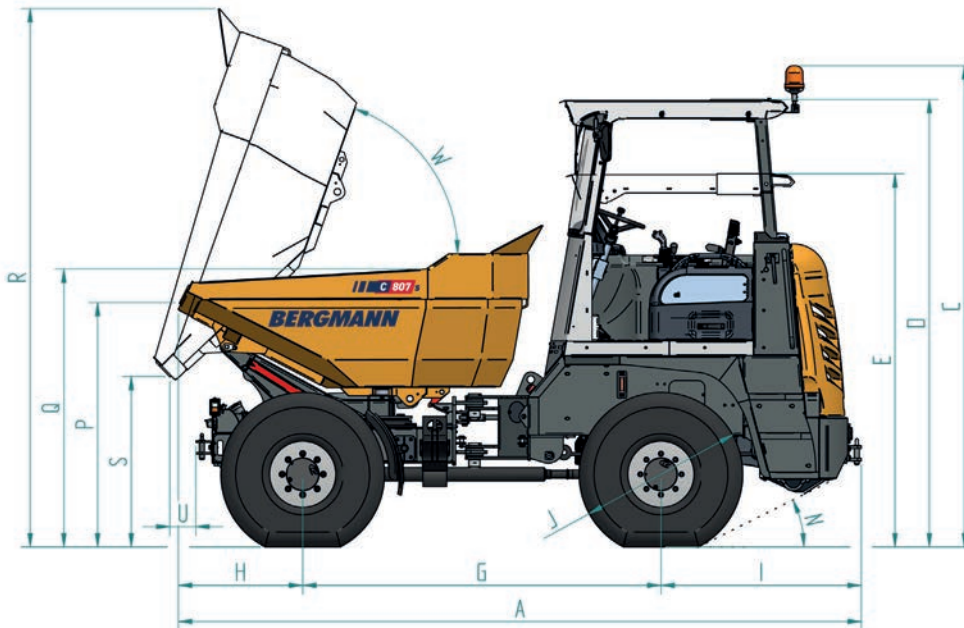
All illustrations, dimensions and weights do not necessarily correspond to the standard equipment and are non-binding with regard to tolerance deviations on component level. We reserve the right to make technical changes.



BERGMANN II C 807 s



Lowerable canopy (ROPS)



Dimensions

A	4,575 mm	15.01 ft
B	2,043 mm	6.70 ft
C	3,225 mm	10.58 ft
D	2,999 mm	9.84 ft
E	2,501 mm	8.21 ft
G	2,400 mm	7.87 ft
H	833 mm	2.73 ft
I	1,342 mm	4.40 ft
J	1,097 mm	3.60 ft
L	408 mm	1.34 ft
M	326 mm	1.07 ft
N		27°
O	2,043 mm	6.07 ft
P	1,638 mm	5.37 ft
Q	1,862 mm	6.11 ft
R	3,608 mm	11.84 ft
S	1,142 mm	3.75 ft
U	175 mm	0.57 ft
V	168 mm	0.55 ft
W		70°

Weight

Empty weight	4,450 kg	9,811 lb
Payload	6,000 kg	13,228 lb

Bucket capacity

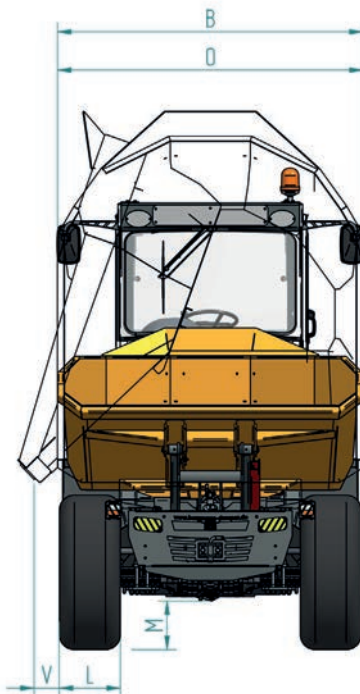
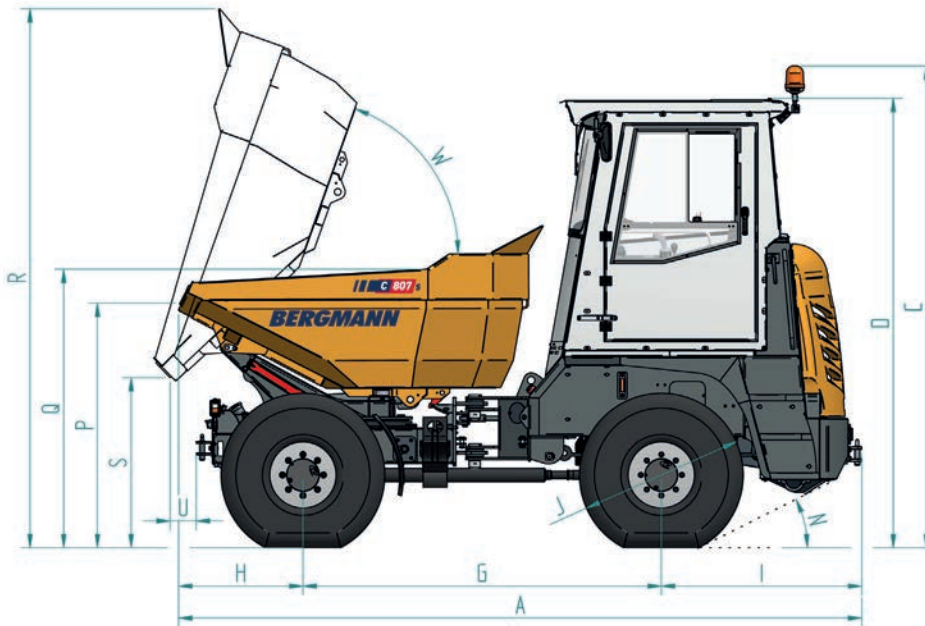
Struck	2.5 m ³	3.3 yd ³
Heaped gehäuft	3.6 m ³	4.7 yd ³

All illustrations, dimensions and weights do not necessarily correspond to the standard equipment and are non-binding with regard to tolerance deviations on component level. We reserve the right to make technical changes.

BERGMANN II C 807 s



Full cab



Dimensions

A	4,575 mm	15.01 ft
B	2,043 mm	6.70 ft
C	3,225 mm	10.58 ft
D	3,008 mm	9.87 ft
G	2,400 mm	7.87 ft
H	833 mm	2.73 ft
I	1,342 mm	4.40 ft
J	1,097 mm	3.60 ft
L	408 mm	1.34 ft
M	326 mm	1.07 ft
N		27°
O	2,043 mm	6.07 ft
P	1,638 mm	5.37 ft
Q	1,862 mm	6.11 ft
R	3,608 mm	11.84 ft
S	1,139 mm	3.74 ft
U	175 mm	3.94 ft
V	169 mm	0.55 ft
W		70°

Weight

Empty weight	4,600 kg	10,141 lb
Payload	6,000 kg	13,228 lb

Bucket capacity

Struck	2.5 m ³	3.3 yd ³
Heaped	3.6 m ³	4.7 yd ³

All illustrations, dimensions and weights do not necessarily correspond to the standard equipment and are non-binding with regard to tolerance deviations on component level. We reserve the right to make technical changes.

Technical data

Highlights

- High stability thanks to oscillating axle
- Retrofitting of cab possible
- Hydraulic park brake
- Type test approval by TBG

Engine

Hydrostatic 4-wheel-drive with automotive control – water-cooled

Power	55 kW	73.75 hp
Rotational speed		2,200 rpm
Emission standard		Stage 5

Transmission

Hydrostatic four-wheel drive with automotive control

Speed I	0–8 km/h	0–5 mph
Speed II	0–28 km/h	0–17.4 mph

Steering

Hydraulic articulated steering via priority valve; articulated joint: 40° left and right

Axles/Brakes

- Front axle rigid, rear axle with leaf spring suspension
- Maintenance-free oil-bath multi-disc brake with automatic adjustment in the front axle
- Hydraulically applicated locking brake acting over articulated shaft on front and rear axle

Standard tyres

All tyres 405/70 R20 As profile
(more tyre options on request)

Tank capacity

Fuel	65 L
Hydraulic oil	45 L

Electrics

- 12 V electric system with main switch
- Control panel for engine water temperature
- Control lamps for engine oil, park brake, driving display, battery charging control and hydraulic filter
- Display for drive position

Standard equipment

- Hydro sprung seat adjustable
- Instrument panel lowerable and lockable ignition key
- Rear axle with leaf spring suspension
- Lighting system in accordance with German traffic regulations
- Bucket from wear-resistant fine-grain steel
- CE conformity declaration
- Manual/Spare parts list