

Bendi®



BENDI B3/30AC

3-WHEEL BENDI

ELECTRIC MULTI-PURPOSE VNA ARTICULATED FORKLIFT TRUCK

The B3/30AC is a 3-wheel Bendi with a single poly front drive tire and solid rubber rear tires. Front articulation of 200°, narrow mast and compact front end allow stacking easily in Very Narrow Aisles. The B3/30AC is equipped to work inside and outside on paved surfaces.

STANDARD FEATURES

- Three-Wheel Design, Single Front Wheel Drive
- 10.31" (262mm) Stroke Integral Side Shifter
- Adjustable Seat and Steering Wheel
- DuraSteer™ Front Wheel Hydraulic Steering
- AC Traction Motor Controller with LandActive Control (LandActive control provides additional control during stacking as the maximum truck speed is controlled by steering angle.)
- AC Hydraulic Motor Controller
- Interactive LCD Status Monitor
- BDI with Lift Interrupt, Hour Meter with Service Monitor, Diagnostic Code Display, Input Device Calibration
- Hydraulic Rear Wheel Brakes
- Safety Seat Switch and Seat Belts
- 40" (1000mm) Tapered Tip Forks - Rear Tow Pin
- Hand Actuated Parking Brake
- Creep Speed Mode Selection Switch
- High Visibility Mast and 36" (914mm) High Backrest
- Mast Tilt 1° Forward and 2° Backward
- 48 Volt Electrical System
- Three Section Hydraulic Control Valve
- Smooth Poly Front Drive Tire and Rubber Rear Tires
- Horn, Key Switch and Hour Meter
- Meets ANSI B56.1

OPTIONAL FEATURES

- Non-Standard Fork Lengths
- Dual Overhead Guard-Mounted LED Headlights
- Dual Rear Safety LED Light Bars
- Safety Flashing LED Light
- Backup Alarm - Beeping Tone ("Smart" dB Adjusting)
- Fire Extinguisher - OHG Post Mounted
- Roller / Slide-Out Battery Tray
- Lazer Fork Height Indicator
- Fork Positioner
- Keyless Key Pad On-Off
- Cold Storage Conditioned to -22°F (-30°C)



LANDOLL CORPORATION

MATERIAL HANDLING GROUP

www.landoll.com/mhp



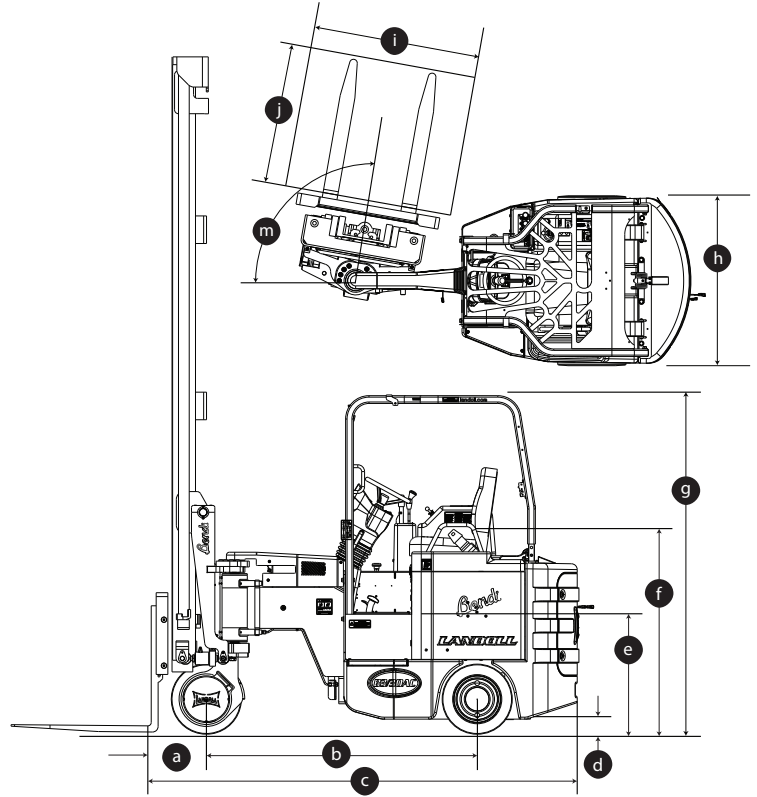
B3/30AC-0616

BENDI B3/30AC

Electric Multi-Purpose VNA | Articulated Forklift Truck

TECHNICAL DATA

MODEL		B3/30AC	
Capacity		lbs/kg	3,000 / 1,361
Load Center		in/mm	24 / 600
Power Source			Battery, electric
Weight with Battery		lbs/kg	12,800 / 5,818
Travel Speed	Loaded	mph/kph	5.5 / 8.9
	Unloaded	mph/kph	6 / 9.7
Lift Speed	Loaded	fpm/mpm	90 / 27.4
	Unloaded	fpm/mpm	110 / 33.5
Lowering Speed	Loaded	fpm/mpm	100 / 30.5
	Unloaded	fpm/mpm	90 / 27.4
Mast Tilt	Fwd / Back	deg	1 / 2
Lost Load Center	a	in/mm	14.2 / 361
Wheelbase	b	in/mm	69.6 / 1,768
Overall Length to Face of Forks	c	in/mm	109.9 / 2,791
Underclearance	d	in/mm	3 / 76
Cab Floor Height	e	in/mm	31 / 787
Seat Height	f	in/mm	51 / 1,295
Overhead Guard Height	g	in/mm	87 / 2,209
Chassis Width	h	in/mm	44.8 / 1,138
Gradeability	Unloaded	%	8
	Loaded	%	5
Hydraulic Motor Rating		kW	12
Drive Motor Rating	Single Front	kW	5.1
Wheel Sizes	Front (1 Each)	in/mm	18x7 / 457x178
	Rear (2 Each)	in/mm	18x7 / 457x178
Traction Control Type	Curtis		AC
Hydraulic Control Type	Curtis		AC
Front Articulation	m	deg	200



AISLE DIMENSIONS

LOAD DEPTH X WIDTH (j x i)	MINIMUM CLEAR AISLE
40" x 48" (1,000 x 1,200mm)	66" (1,676mm)
48" x 40" (1,200 x 1,000mm)	72" (1,828mm)
Minimum Clear Transfer Aisle	118" (3,000mm)

MAST DIMENSIONS

LIFT HEIGHT		LOWERED HEIGHT		FREE LIFT	
Inches	Meters	Inches	Meters	Inches	Meters
156	3.96	92	2.34	56	1.42
204	5.18	108	2.74	72	1.83
222	5.64	118	3.00	82	2.08
250	6.35	133	3.38	97	2.46
288	7.32	147	3.73	111	2.82
312	7.92	155	3.94	119	3.02
360	9.14	174	4.42	138	3.51



RECOMMENDED BATTERY

BATTERY DESIGNATION: 24-85-17, 48 VOLT, 680 AHC (6 HOUR RATE)
Nominal Size: 27" x 38.5" x 22.625" (69 x 98 x 58cm)
Truck Compartment Size: 27.5" x 38.75" x 23" (70 x 98 x 58cm)
Battery Weight: Min. 2,600 lbs. (1,181kg) - Max. 3,100 lbs. (1,409kg)
Leads are at Position C, 20" (50.8cm) Long, with SB 350 Amp Blue Connector

The specifications contained in this spec sheet are subject to change at any time without notice. Actual dimensions and performance data given herein may vary due to manufacturing tolerances.

www.landoll.com/mhp

1900 North Street | Marysville, KS 66508 | (800) 428-5655



Intertek



ANAB
ASSOCIATION
OF
NORTH AMERICAN
BATTERY MANUFACTURERS
CERTIFICATION BODY



YOUR INDUSTRY CONNECTION
MHEDA



Member Company



The Resource for Warehouse Logistics



International Association of Refrigerated Warehouses